

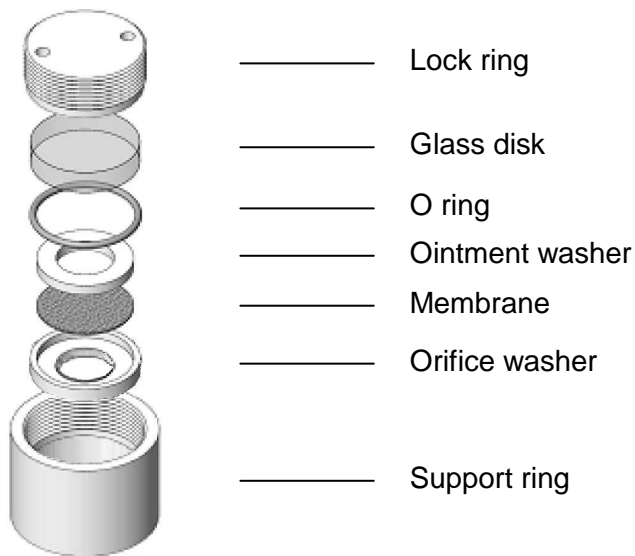
Instruction manual

Immersion Cell

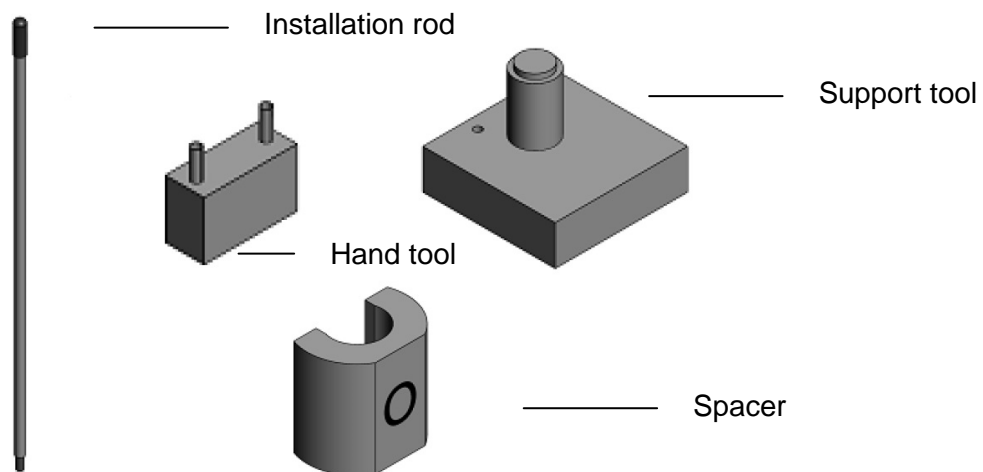
Table of Contents

1.	Components immersion cell	3
2.	Introduction	4
3.	Cell assembly	5
4.	Cell installation & removal	6
5.	Cell Installation in bath	6
6.	Contact details	7

1. Components immersion Cell



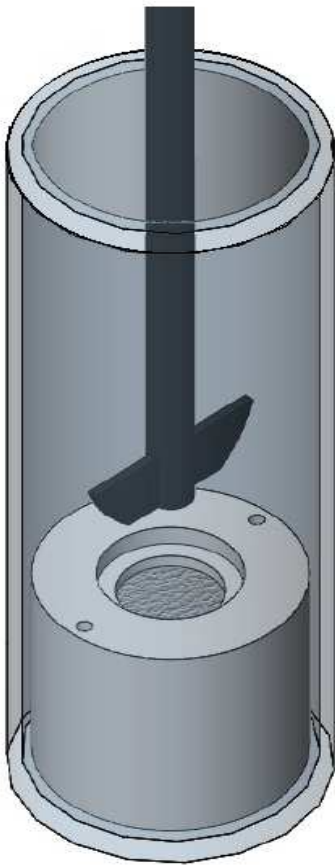
Additional tools (optional)



2. Introduction

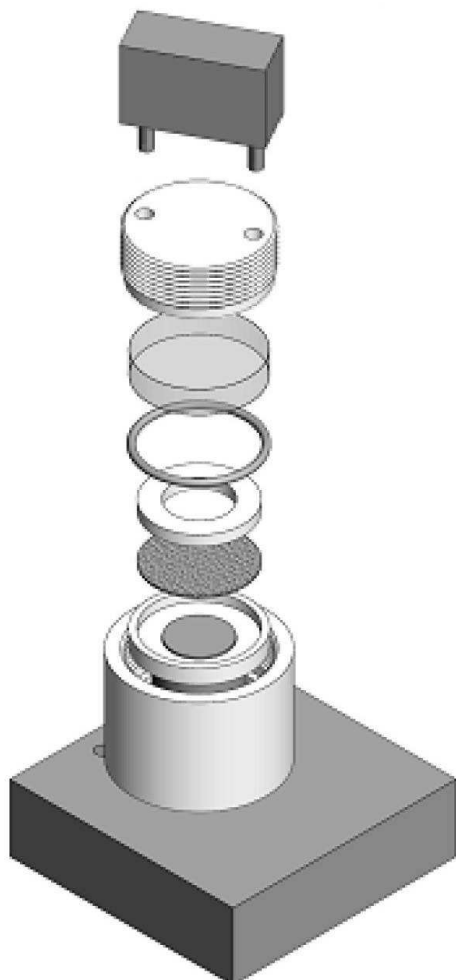
The Immersion cell is designed to test ointments, creams, lotions, etc. for quality and control purposes on your dissolution system.

The cell uses a “small volume setup” dissolution system. The test is the same as your standard dissolution test, with exception of using a small volume vessel and a mini paddle. Your test agent is not a tablet or capsule but an ointment. The material is sealed in a chamber with a membrane.



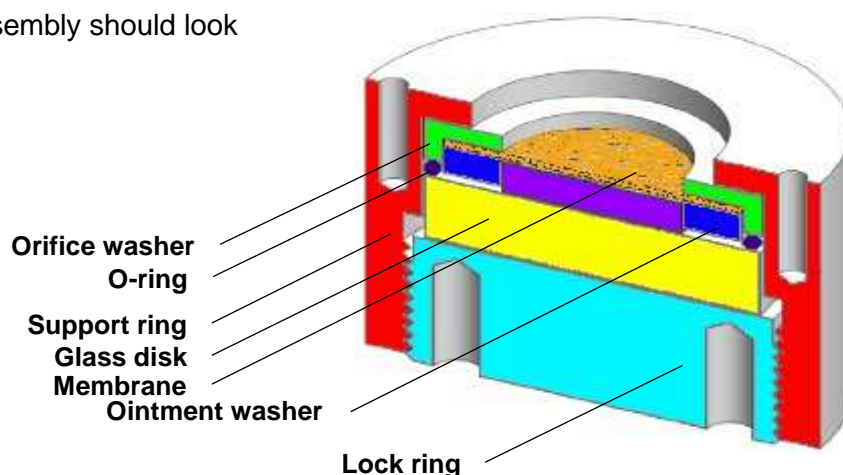
3. Cell assembly

The immersion cell must be properly assembled prior to use to ensure it functions properly. Follow the procedure below, Refer to the figure below

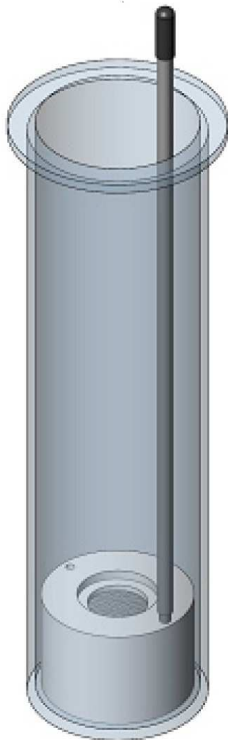


1. Orient the support ring so that it is upside down (larger opening face up).
2. Place support ring on support tool.
3. Place orifice washer on support tool; it should rest on the top part of the post.
4. Place membrane in orifice washer.
5. Place ointment washer on top of the orifice washer; the two should fit together to hold the membrane in place. Squeeze these together, making sure to keep membrane wrinkles to a minimum.
6. Apply dose to the membrane, inside the circular area in the middle of the ointment washer. Spread to evenly fill the dosage area.
7. Place O-ring over washer.
8. Place glass disk on top of ointment washer and O-ring
9. Lift support ring, keeping slight pressure on the glass disk.
10. Washers and Disk will move to the bottom of the support ring; lift the entire assembly off the support tool, pushing down gently on the glass disk to ensure the assembly sits at the bottom of the support ring.
11. Place the lock ring on the support ring, with the two holes face up. Inserting the two prongs of the hand tool into the corresponding holes of the lock ring, screw the lock ring into the support ring. It should fit snugly, but do not overtighten to avoid damage. Turn the assembly over for upright orientation.

12. The result of the assembly should look like this figure.



4. Cell installation & removal



Installation

1. With the media in the vessels, and once the temperature is stable, loosely screw the installation rod to the cell assembly using one of the two holes of the support ring.
2. Lower the cell assembly into the vessel
3. Unscrew the installation rod and remove from the vessel.

Removal

1. Screw the installation rod and remove rod and assembly out of the vessel

5. Installation in dissolution bath

1. Raise the drive head to the highest position.
2. Install the adapter ring into the hole where the 1L vessel would be and secure the adapter (e.g. Clamp knobs on the base plate).
3. Carefully insert a small volume vessel into the adapter ring and secure in place. Repeat this for all vessels used.
4. Install mini paddles in the drive head.
5. Adjust the paddle height using spacer or height tool. (the paddles should spin 10mm above the cell assembly.)
6. Fill the vessels with media. Allow the media to stabilize to the set temperature.
7. Assemble the immersion cell and place the assembly, using the installation rod, in the vessel.
8. Lower the drive head.
9. Install the vessel cover.

6. Contact details


For support or replacement parts, please contact your distributor. In all other situations, you can contact Dissolution Accessories.





is a ProSense BV brand



P.O. Box 173
4900 AD Oosterhout
The Netherlands

 Tel: +31 (0)162-471485

 Fax: +31 (0)162-471486

 info@prosense.net

 www.prosense.net - Laboratory and Process Equipment

www.dissolutionaccessories.com - Dissolution Consumables and Accessories

www.q-i-s.net - Electrochemical Instruments and Sensors

Chamber of Commerce Breda: 20087602. ProSense B.V. is in compliance with the GDPR. Please check our [privacy policy](#) for more information.

