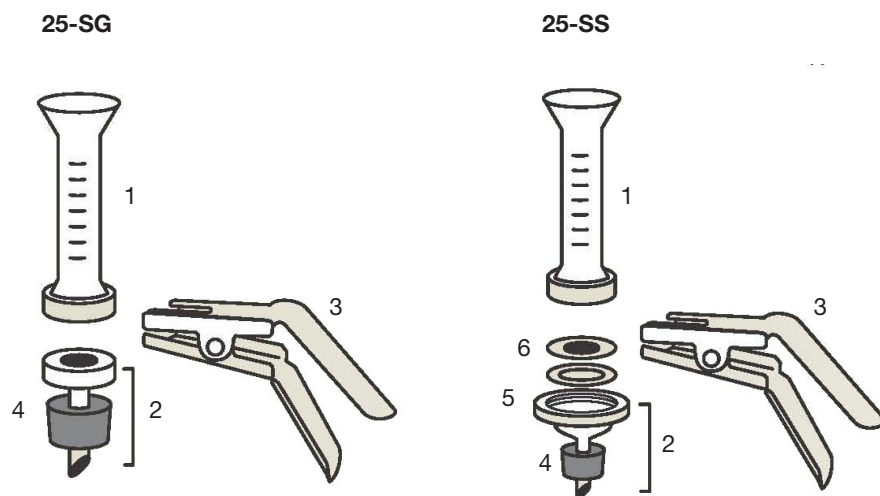


FILTER HOLDERS

Glass Filter Holders – 25 mm

- For 25 mm filters. Made of borosilicate glass.
- Choose between sintered glass support and stainless steel support.
- **Sintered glass support** for microbiological and particle analysis. Model 25-SG.
- **Stainless steel support** for producing a clean filtrate and for filtration of solutions containing proteins. Model 25-SS.
- Funnel capacity is 22 ml. Graduated to 15 ml.
- Holders are supplied complete with funnel, base, clamp and silicone stopper.



Ordering information

Model	25-SG	25-SS
Cat. No.	258100	259100

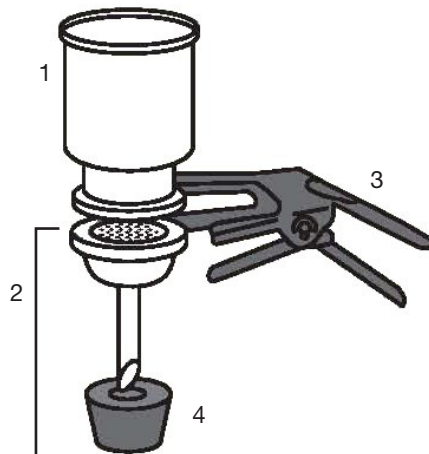
Spare Parts	25-SG	25-SS
1 Funnel	257101	257101
2 Base incl. stopper	257102	257103
3 Clamp	257104	257104
4 Stopper No. 5	257105	257105
5 PTFE gasket	-	257106
6 Stainless steel screen	-	257107

Glass Filter Holders – 47 mm

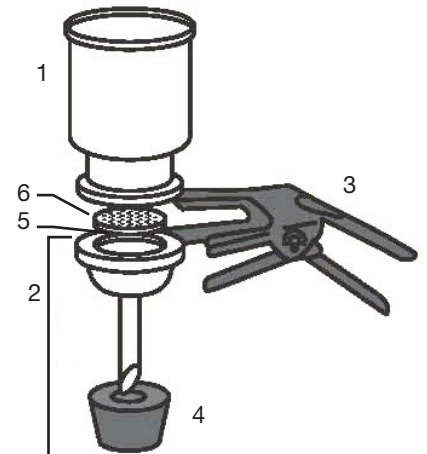
- For 47 mm filters. Made of borosilicate glass.
- Choose between sintered glass support and stainless steel support.
- **Sintered glass support** for microbiological and particle analysis. Model 47-SG.
- **Stainless steel support** for producing a clean filtrate and for filtration of solutions containing proteins. Model 47-SS.
- Funnel capacity is 300 ml. Graduated to 250 ml.
- Holders are supplied complete with funnel, base, clamp and silicone stopper.



47-SG



47-SS



Ordering information

Model	47-SG	47-SS
Cat. No.	478100	479100

Spare Parts	47-SG	47-SS
1 Funnel	477101	477101
2 Base incl. stopper	477102	477103
3 Clamp	477104	477104
4 Stopper No. 8	477105	477105
5 PTFE gasket	-	477106
6 Stainless steel screen	-	477107

FILTER HOLDERS

Adapter for bottles with GL 45 thread

- Filter directly to receiver bottle.
- No need to transfer the filtrate from a suction flask.
- Ideal for use with Filter Holder 47-SS (see page 33) for filtration and degassing of HPLC mobile phases.
- Solid polypropylene construction with silicone stopper and o-ring.

Note: only use with pressure tested glass bottles.



Description and ordering information

	Cat. No.
Complete adapter with stopper and o-ring	445.709
Spare stopper	445.711
Spare o-ring	445.715

Example of set-up

- Pressure tested glass bottle (not available from Frisenette)
- Adapter
- Model 47-SS filter holder with stainless steel filter support

